

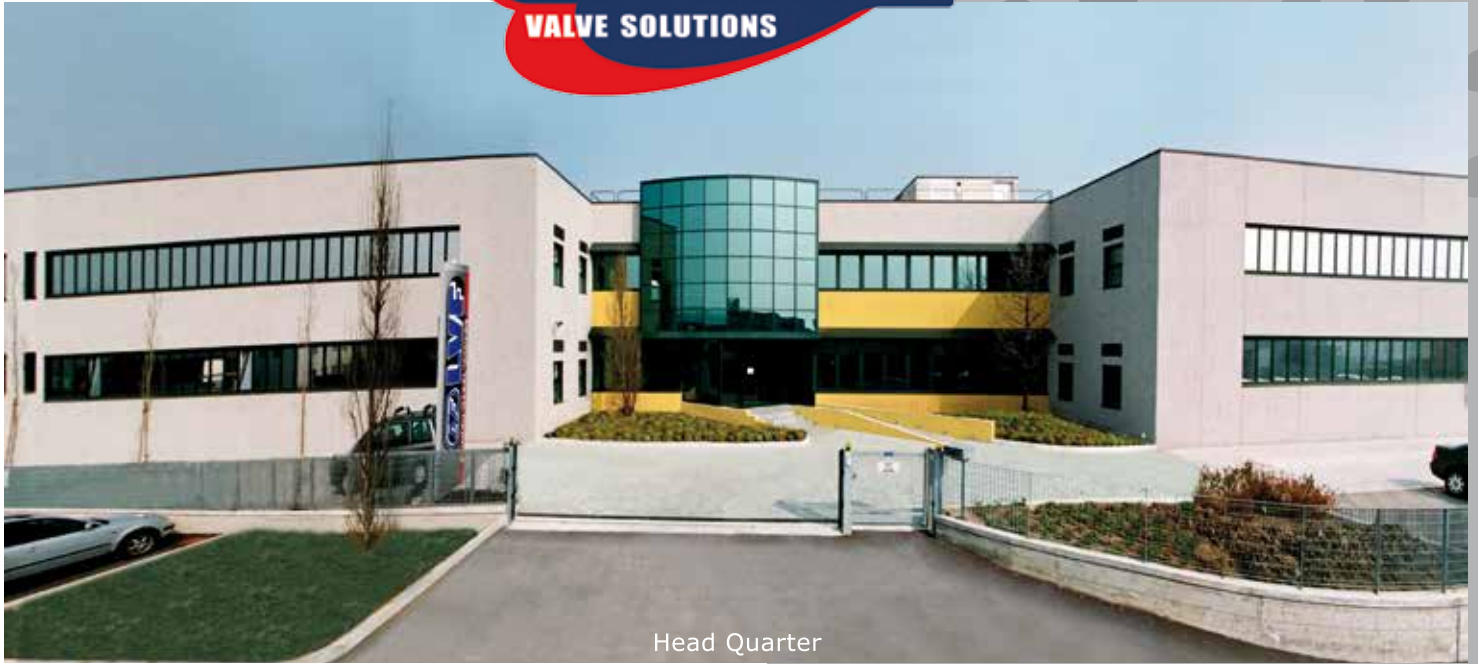
GATE VALVES

- Expanding Through Conduit
- Slab Through Conduit
- Wedge
- Modular



GATE

Gate



Head Quarter



Ball Valves Division



Cast Valves Division



Gate, Globe & Check Division



Acceptance Area



Warehouse



Shipping Area



LVF spa

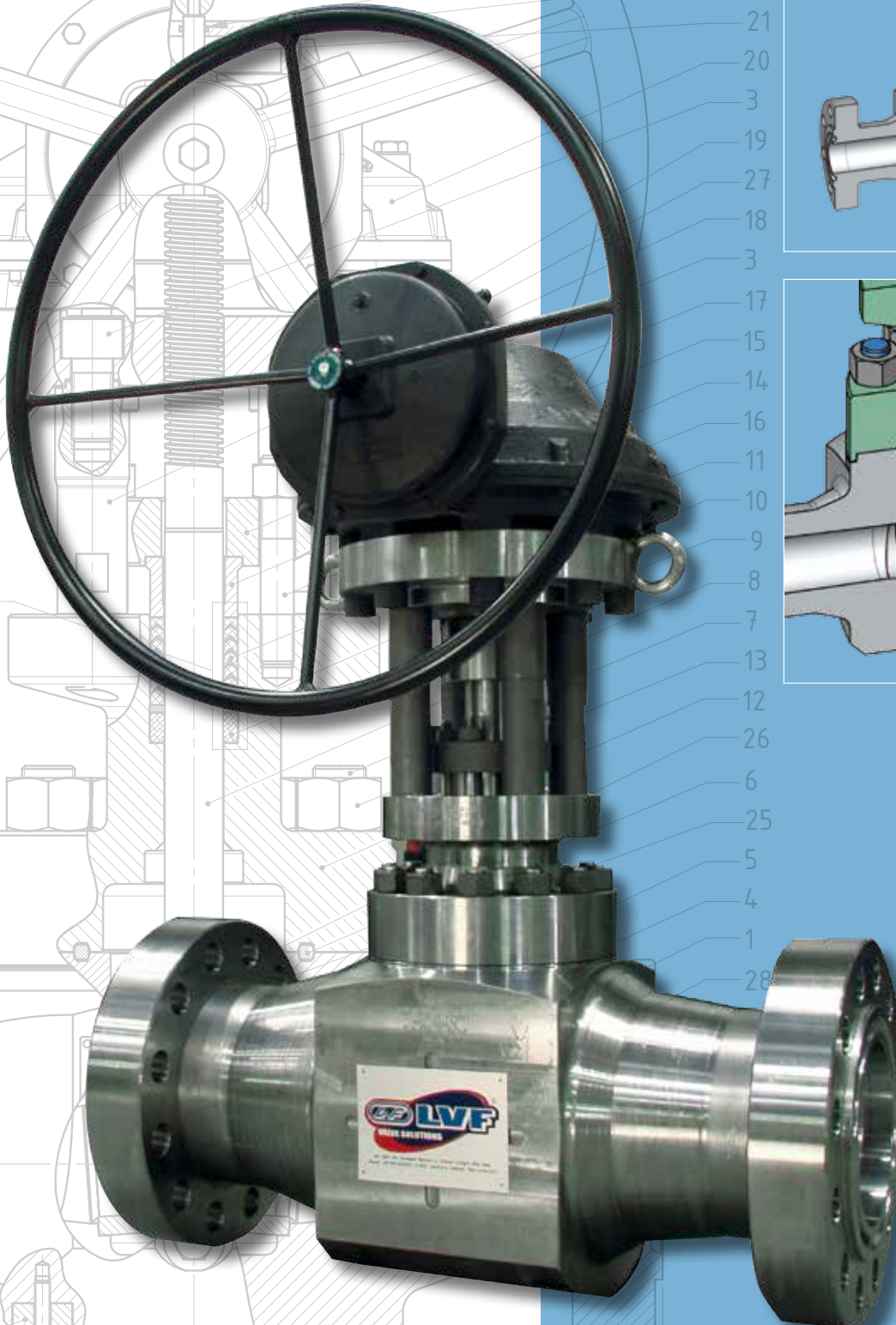
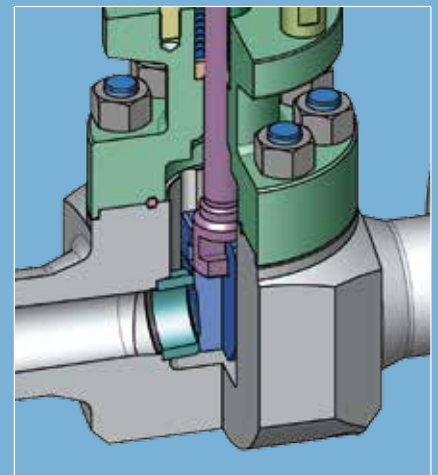
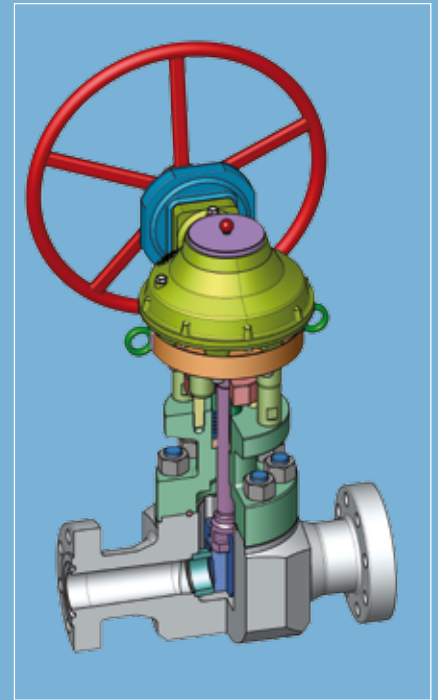
Via Giuseppe Mazzini, 6
24060 SAN PAOLO D'ARGON (BG) - Italy
P.Iva 03076750169



Phone: +39 035 4255211
Fax: +39 035 959210
info@lvf.it - www.lvf.it

GATE WEDGE

Construction: Bolted Bonnet, Welded Bonnet, Pressure Seal
Connection: SW, NPT, BW, HUB and flanged
Design: API602, API6A, API600, API603, ASME B16.34, UNI EN 12516
Classes: ANSI 150 lbs to 4500 lbs, API 3000 psi to 15000 psi
Sizes: 1/2" to 36"
Materials: carbon steel, alloy steel, stainless steel and special alloys



2
3

GATE SLAB Through Conduit

Construction: Rising Stem & Non Rising Stem

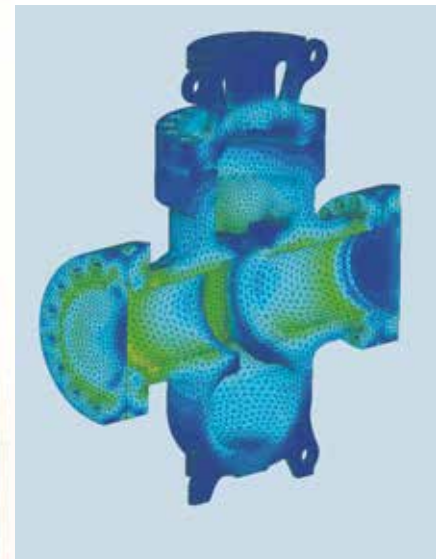
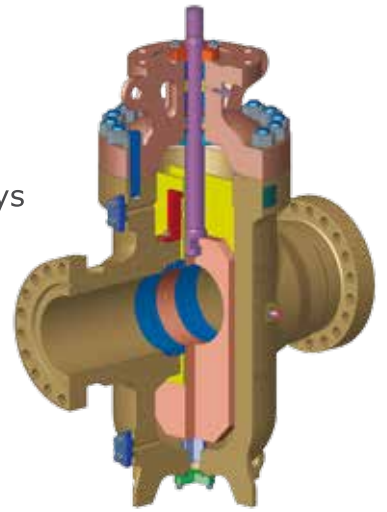
Connection: BW, HUB and flanged

Design: API 6D, API 6A, ASME B16.34, ASME VIII, UNI EN 12516

Classes: API 3000 to 15000, ANSI 600 lbs to 2500 lbs

Sizes: 1" to 36"

Materials: carbon steel, alloy steel, stainless steel and special alloys



GATE EXPANDING Through Conduit

Construction: Expanding & Double Expanding, Rising Stem & Non Rising Stem

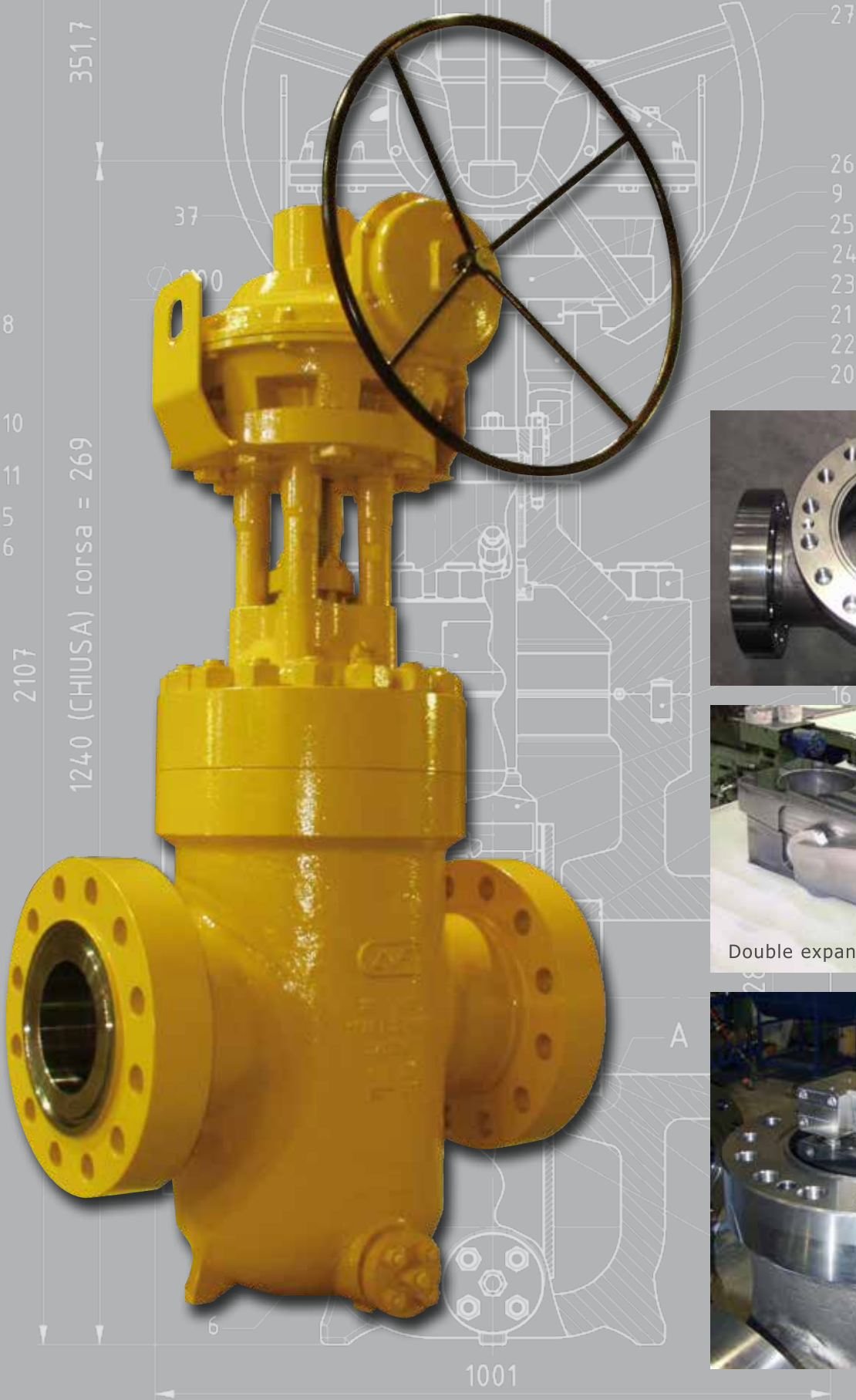
Connection: BW, HUB and flanged

Design: API 6D, API 6A, ASME B16.34, ASME VIII, UNI EN 12516

Classes: ANSI 600 lbs to 2500 lbs, API 3000 to 15000

Sizes: 1" to 36"

Materials: carbon steel, alloy steel, stainless steel and special alloys



Construction: Bolted Bonnet, Welded Bonnet, Gate-Needle-Gate, Gate-Needle-Gate-Check

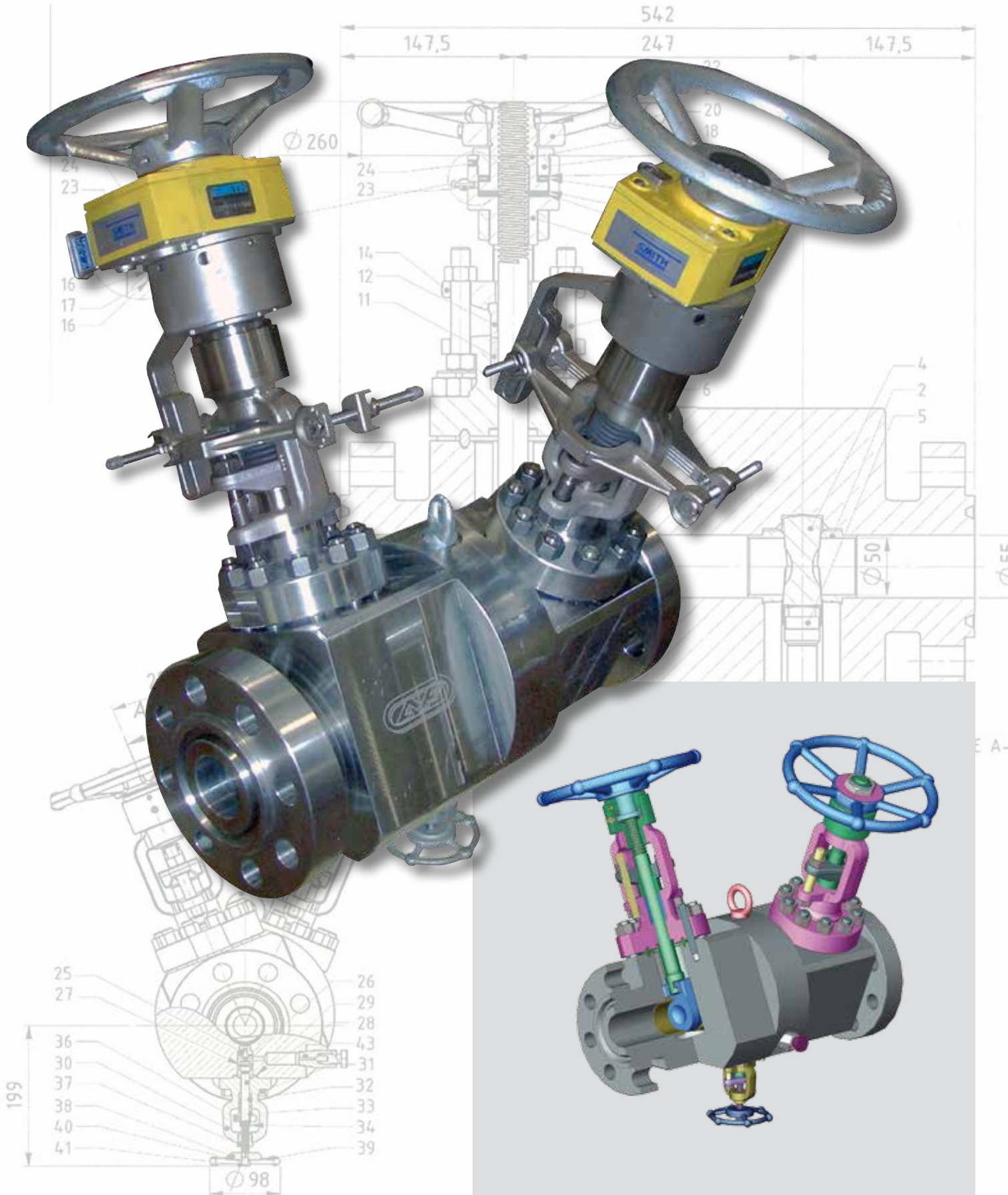
Connection: SW, NPT, BW, HUB and flanged

Design: EEMUA 182, ASME B16.34, ASME VIII, UNI EN 12516

Classes: ANSI 150 lbs to 4500 lbs, API 3000 to 15000

Sizes: 1/2" to 8"

Materials: carbon steel, alloy steel, stainless steel and special alloys

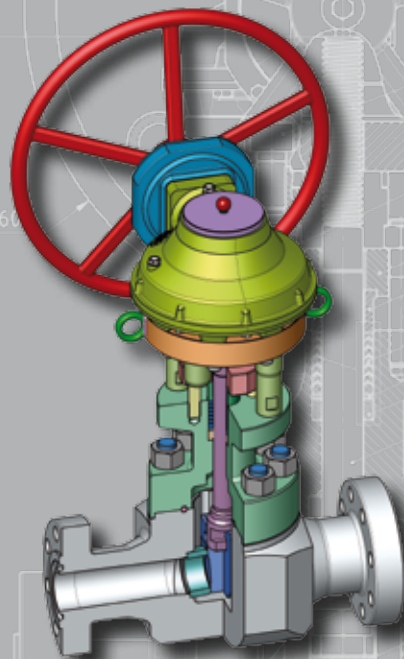


SLAB THROUGH CONDUIT



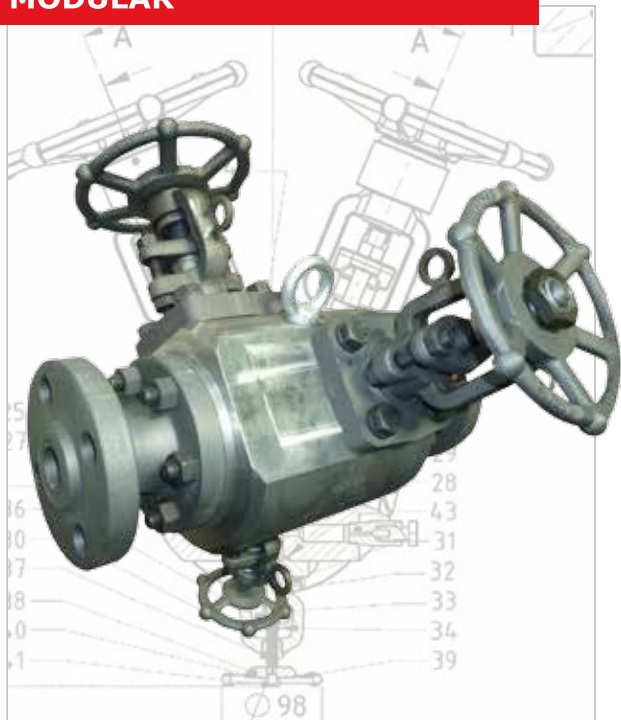
Construction: Rising Stem & Non Rising Stem
Connection: BW, HUB and flanged

WEDGE



Construction: Bolted Bonnet, Welded Bonnet, Pressure Seal
Connection: SW, NPT, BW, HUB and flanged

MODULAR



Construction: Bolted Bonnet, Welded Bonnet, Gate-Needle-Gate, Gate- Needle-Gate-Check
Connection: SW, NPT, BW, HUB and flanged

EXPANDING THROUGH CONDUIT



Construction: Expanding & Double Expanding, Rising Stem & Non Rising Stem
Connection: BW, HUB and flanged

